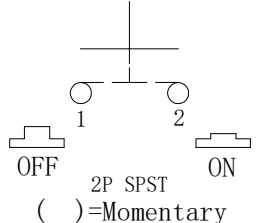
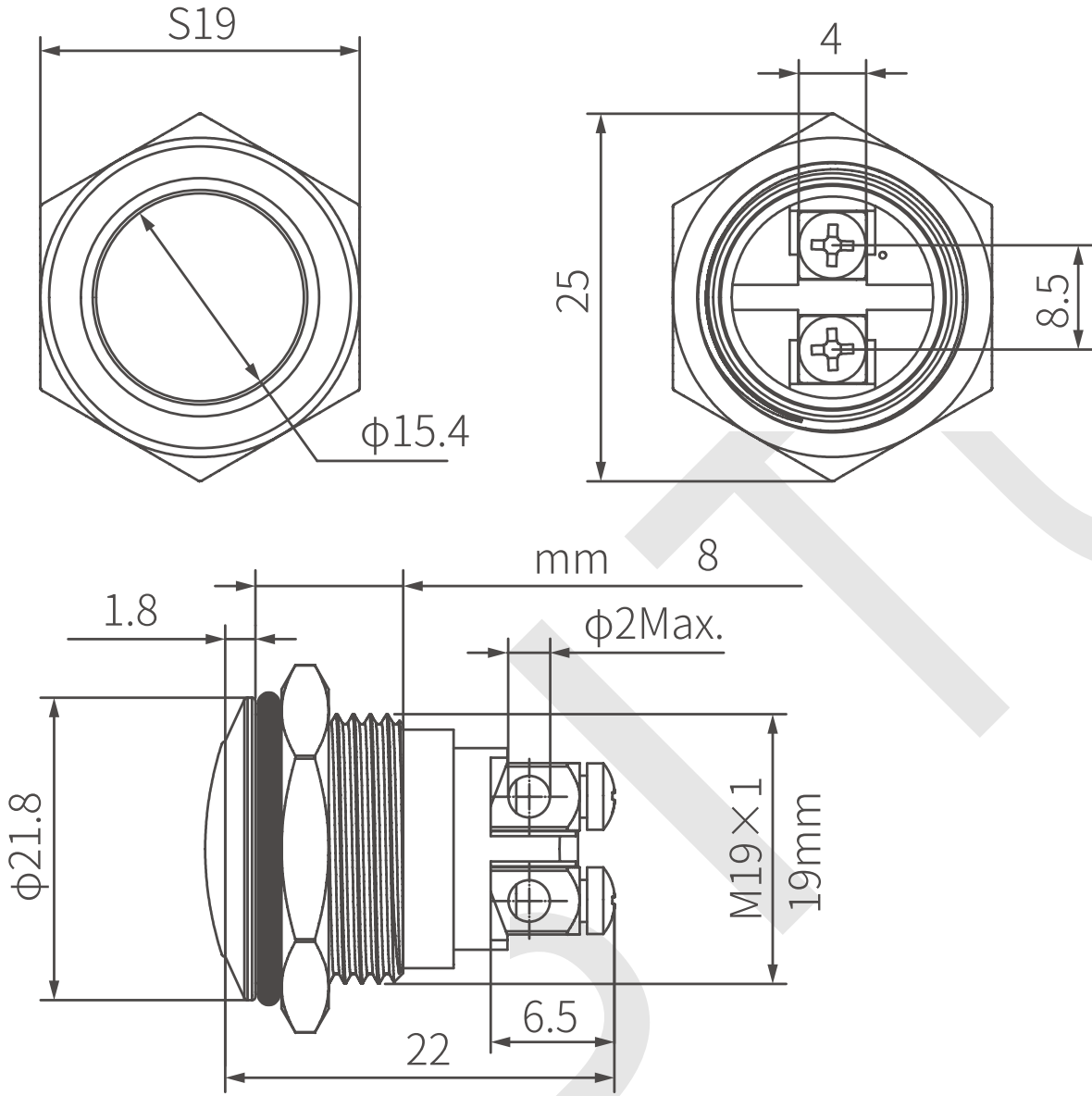


Principal Diagram



- 1. Voltage: 1.5V-250VAC/DC
- 2. Current: 3mA~5A
- 3. LED Voltage: /
- 4. LED Current: /
- 5. LED Color: /
- 6. Switch Function: Momentary
- 7. Operating Temperature: -30°C~+80°C
- 8. Operating Force: Appr. 2.5~3N
- 9. Connection Mode: 1NO
- 10. Installation Mode: Screw
- 11. Panel Mount Size: 19mm
- 12. IP Class: IP 67
- 13. Protection Class: IK 10
- 14. LED Life: /
- 15. Electrical Life: 50,000 Cycles
- 16. Mechanical Life: 250,000 Cycles
- 17. Contact Resistance: ≤50mΩ
- 18. Insulation Resistance: ≥1000mΩ
- 19. Dielectric Strength: 1900VACmin

No.		mm	Layout drawing	Only For Reference	
Design					
Check					
Process					
Standard					
Verified			BTA19B-10MS	BITUO ELECTRIC CO., LTD	
Approved					