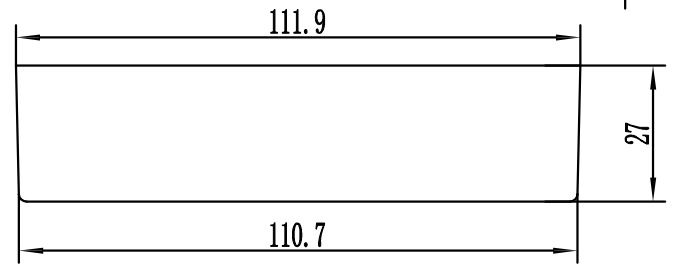
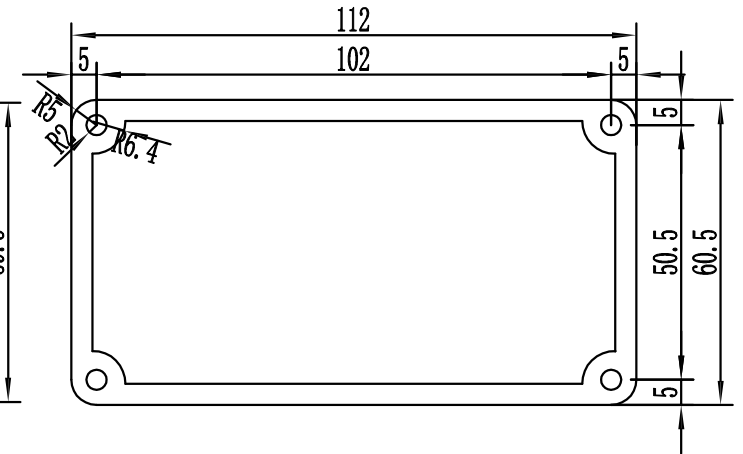
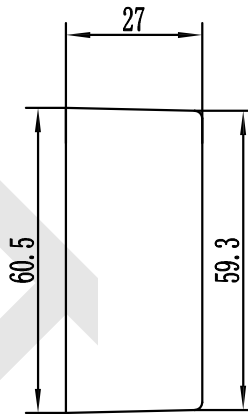
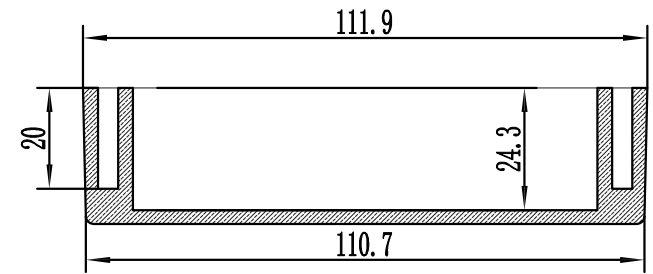
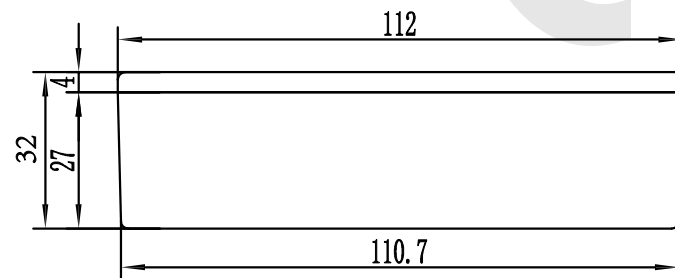


Cover



Base



Overview

No.		Unit		Layout drawing	Only For Reference	
Design						
Check						
Process						
Standard						
Verified				1590B	BITUO ELECTRIC CO., LTD	
Approved						