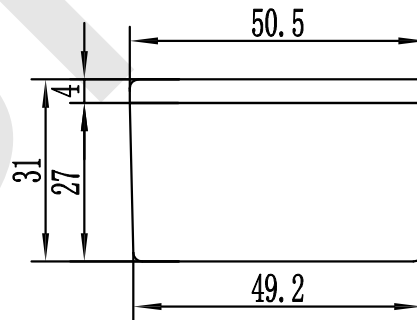


Cover

Base



Overview

No.		Inch		
Design				Layout drawing
Check				
Process				
Standard				
Verified				
Approved				1590LB
				Only For Reference
				BITUO ELECTRIC CO., LTD