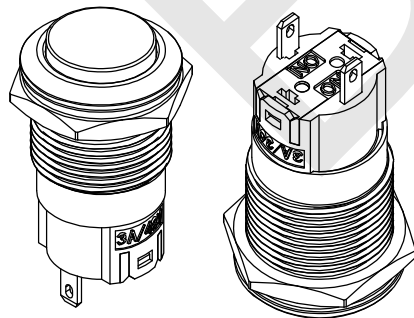
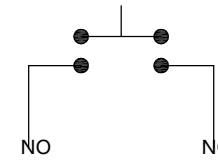


3D View



Principal Diagram



1. Voltage: 1.5V-250VAC/DC
2. Current: 3mA~5A
3. LED Voltage: /
4. LED Current: /
5. LED Color: /
6. Switch Function: Latching or Momentary
7. Operating Temperature: -30°C~+80°C
8. Operating Force: Appr. 2.5~3N
9. Connection Mode: 1NO
10. Installation Mode: Solder
11. Panel Mount Size: 12mm
12. IP Class: IP 67
13. Protection Class: IK 10
14. LED Life: /
15. Electrical Life: 50,000 Cycles
16. Mechanical Life: 250,000 Cycles
17. Contact Resistance: ≤50mΩ
18. Insulation Resistance: ≥1000mΩ
19. Dielectric Strength: 1900VACmin

No.		Version	Layout drawing	Only For Reference	
Design					
Check					
Process					
Standard					
Verified			BITA12H-10L/BTA12H-10M	BITUO ELECTRIC CO.,LTD	
Approved					