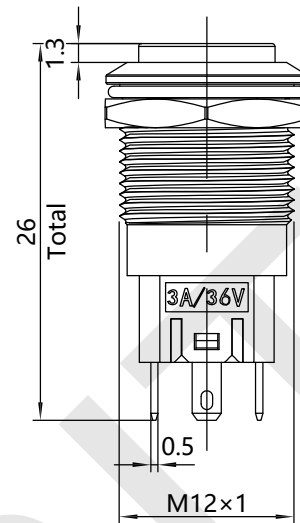
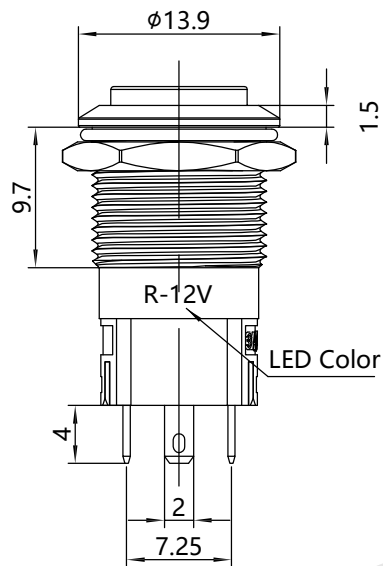
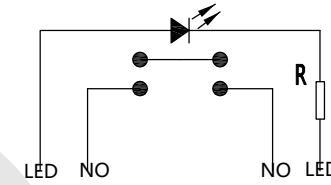
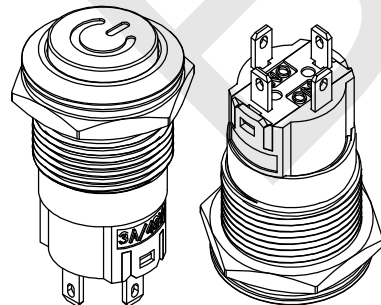


### Principal Diagram



### 3D View



1. Voltage: 1.5V-250VAC/DC
2. Current: 3mA~5A
3. LED Voltage: 3V~220VAC/DC
4. LED Current: 3mA~20mA
5. LED Color: Red, Yellow, Blue, Green, White
6. Switch Function: Latching or Momentary
7. Operating Temperature: -30°C~+80°C
8. Operating Force: Appr. 2.5~3N
9. Connection Mode: 1NO
10. Installation Mode: Solder
11. Panel Mount Size: 12mm
12. IP Class: IP 67
13. Protection Class: IK 10
14. LED Life: 40,000 hours
15. Electrical Life: 50,000 Cycles
16. Mechanical Life: 250,000 Cycles
17. Contact Resistance:  $\leq 50\text{m}\Omega$
18. Insulation Resistance:  $\geq 1000\text{m}\Omega$
19. Dielectric Strength: 1900VACmin

No.	Verion	Layout drawing	Only For Reference	
Design				
Check				
Process				
Standard				
Verified		BTA12H-10PL/BTA12H-10PM	BITUO ELECTRIC CO.,LTD	
Approved				