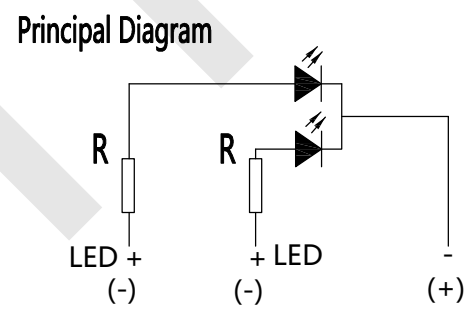
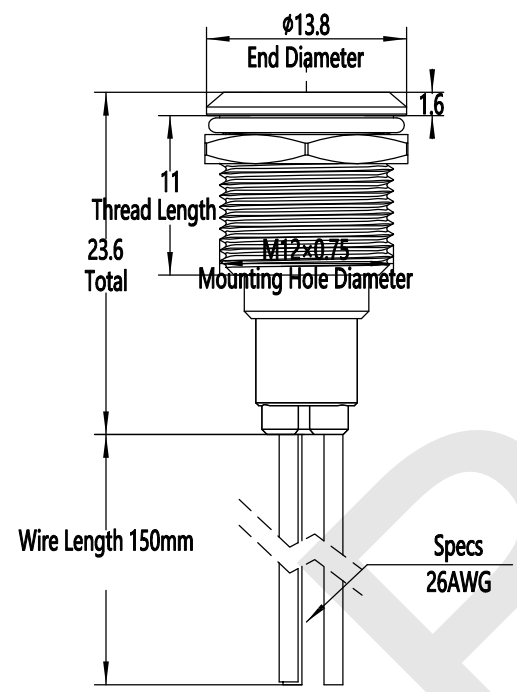


LED Voltage: 3V-220VAC/DC
LED Current: 3mA~20mA
LED Color: Red, Yellow, Blue, Green, White
LED Life: 40,000 Hours
Operating Temperature: -30°C~+80°C
Installation Mode: Wiring
Wire Spec: Standard 15cm 26AWG
Panel Mount Size: 12mm
IP Class: IP67
Protection Class: IK10
Contact Resistance: $\leq 50m\Omega$
Insulation Resistance: $\geq 1000m\Omega$
Dielectric Strength: 1900VACmin



No.		Verin	Layout drawing	Only For Reference	
Design					
Check					
Process					
Standard					
Verified			BTL12F-DW	BITUO ELECTRIC CO.,LTD	
Approved					