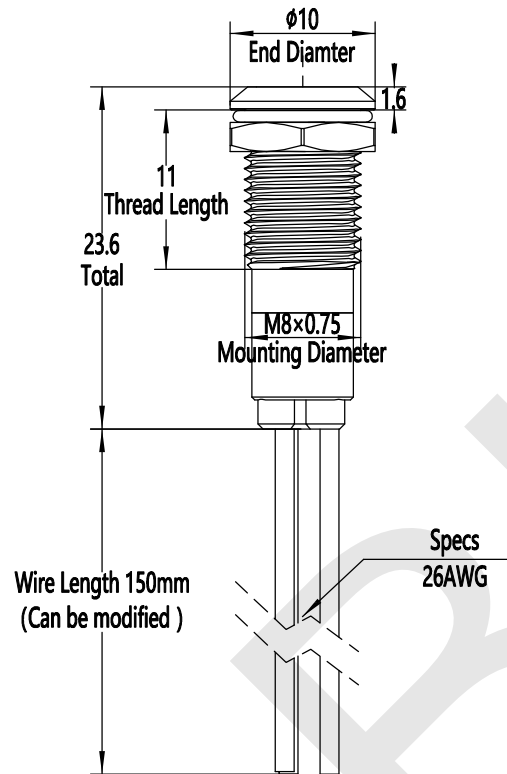
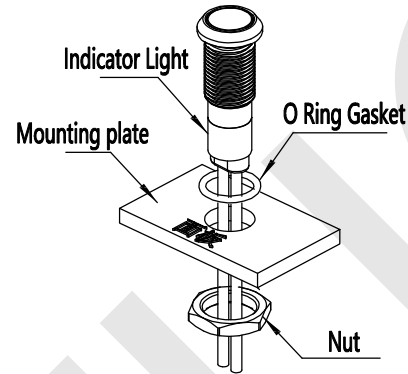
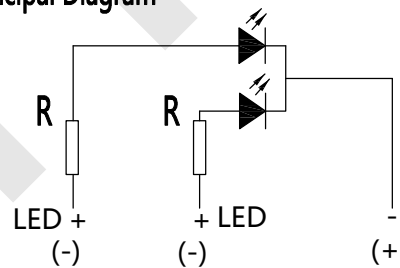


Mounting Diagram



Principal Diagram



LED Voltage: 3V-220VAC/DC

LED Current: 3mA~20mA

LED Color: Red, Yellow, Blue, Green, White

LED Life: 40,000 Hours

Operating Temperature: $-30^{\circ}\text{C}\sim+80^{\circ}\text{C}$

Installation Mode: Wiring

Wire Spec: Standard 15cm 26AWG

Panel Mount Size: 8mm

IP Class: IP67

Protection Class: IK10

Contact Resistance: $\leq 50\text{m}\Omega$

Insulation Resistance: $\geq 1000\text{m}\Omega$

Dielectric Strength: 1900VACmin

No.		Verion	Layout drawing	Only For Reference		
Design						
Check						
Process						
Standard						
Verified			BTL8F-DW	BITUO ELECTRIC CO.,LTD		
Approved						