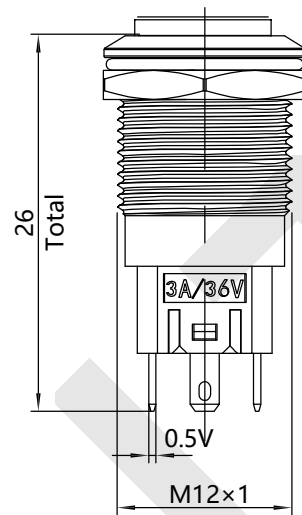
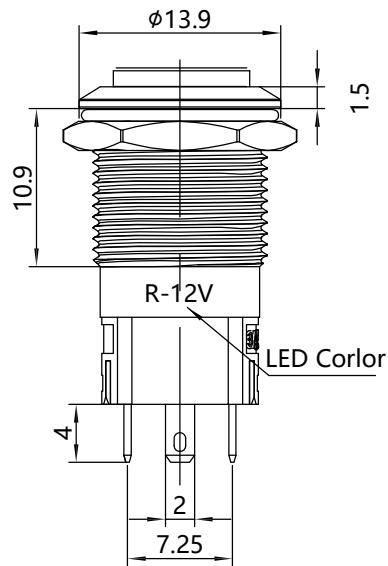
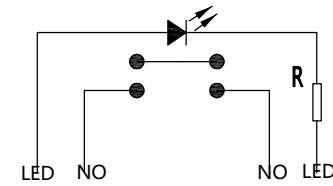
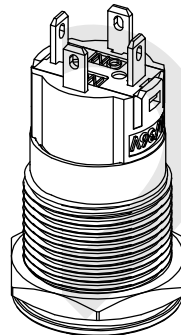
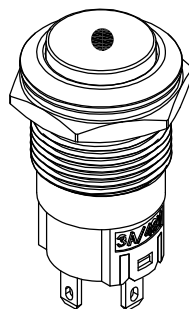


Principal Diagram



3D View



1. Voltage: 1.5V-250VAC/DC
2. Current: 3mA~5A
3. LED Voltage: 3V~220VAC/DC
4. LED Current: 3mA~20mA
5. LED Color: Red, Yellow, Blue, Green, White
6. Switch Function: Latching or Momentary
7. Operating Temperature: -30°C~+80°C
8. Operating Force: Appr. 2.5~3N
9. Connection Mode: 1NO
10. Installation Mode: Solder
11. Panel Mount Size: 12mm
12. IP Class: IP 67
13. Protection Class: IK 10
14. LED Life: /
15. Electrical Life: 50,000 Cycles
16. Mechanical Life: 250,000 Cycles
17. Contact Resistance: ≤50mΩ
18. Insulation Resistance: ≥1000mΩ
19. Dielectric Strength: 1900VACmin

No.	Verion	Layout drawing	Only For Reference	
Design				
Check				
Process				
Standard				
Verified		BT12H-10DL/BT12H-10DM	BITUO ELECTRIC CO.,LTD	
Approved				