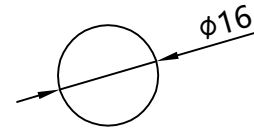
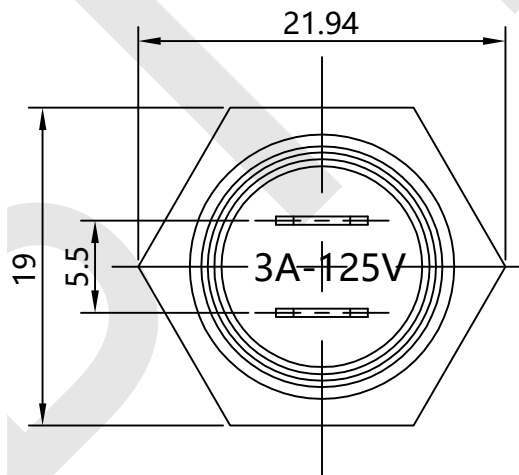
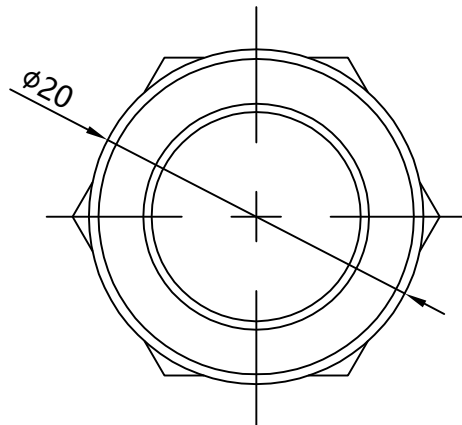
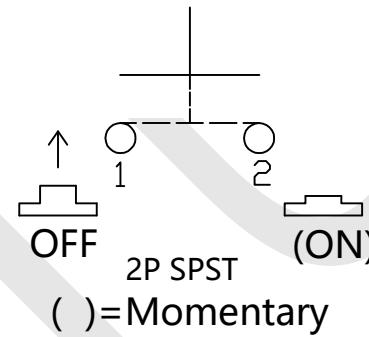


PANEL CUT-OUT



Circuit



The Main Technology Performance

Item	Parameter
Rated voltage Rated current	3A 125VAC
Insulated resistance	DC 500V 100M Ω min
Contact resistance	50m Ω Max
Dielectric strength	AC 1500V 1 minute
Operating Temperature	-25 $^{\circ}$ C ~ +85 $^{\circ}$ C
Electrical Life	≥ 10000 Cycles

No.	Version	Layout drawing	Only For Reference
Design		PBS-26B	BITUD ELECTRIC CO.,LTD
Check			
Process			
Standard			
Verified			
Approved			