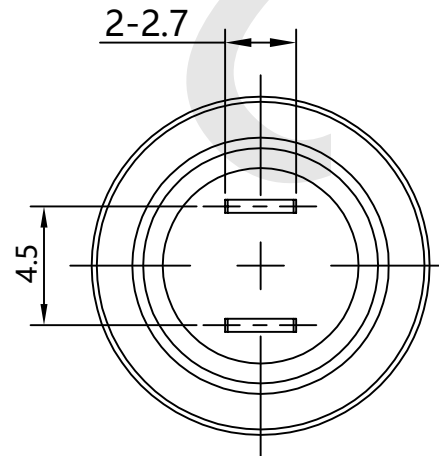
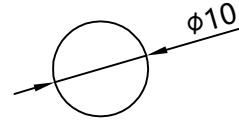
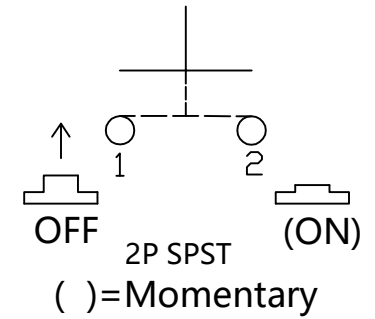


PANEL CUT-OUT



Circuit



The Main Technology Performance

Item	Parameter
Rated voltage	0.5A 250VAC
Rated current	DC 500V 100MΩ min
Insulated resistance	50mΩ Max
Contact resistance	AC 1500V 1 minute
Dielectric strength	-25°C ~ +85°C
Operating Temperature	≥10000 Cycles
Electrical Life	

No.	Version	Layout drawing	Only For Reference
Design			
Check			
Process			
Standard			
Verified		PBS316	BITUD ELECTRIC CO.,LTD
Approved			