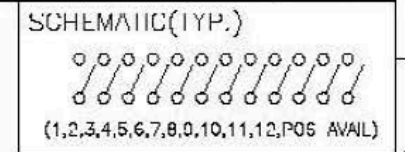
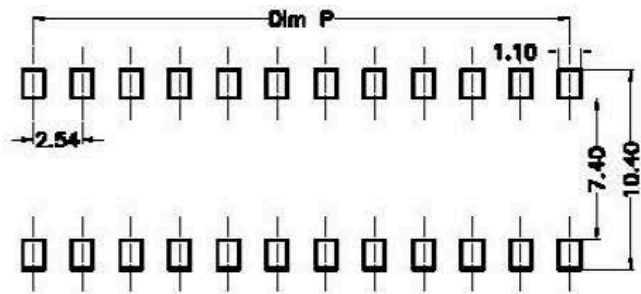
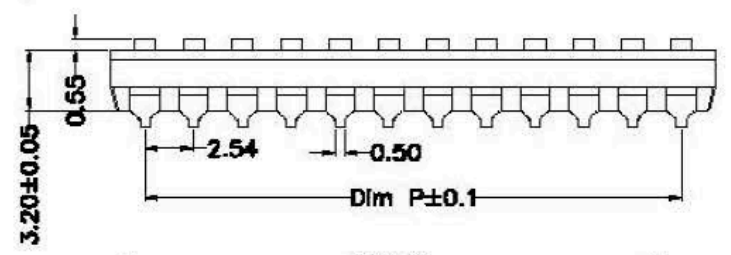
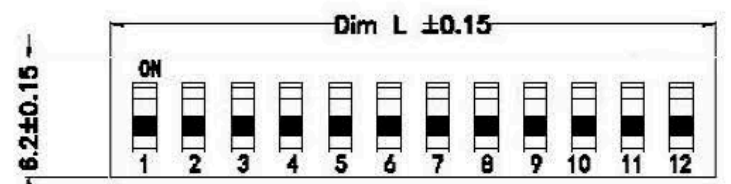


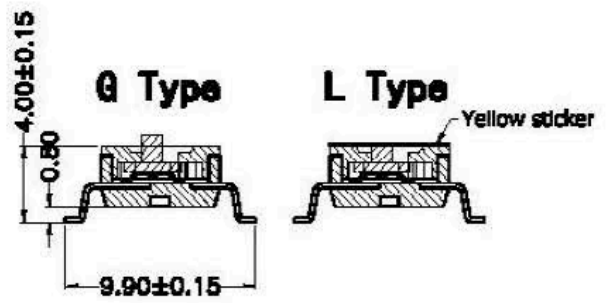
REV.	DESCRIPTION	DATE	DRAWN	APPROVED
A1	DWG.REL	2015/4/8	FANG	YANG



Poles	Dim P	Dim I
1P	—	3.54
2P	2.54	6.08
3P	5.08	8.62
4P	7.62	11.16
5P	10.16	13.70
6P	12.70	16.24
7P	15.24	18.78
8P	17.78	21.32
9P	20.32	23.86
10P	22.86	26.40
11P	25.40	28.94
12P	27.94	31.48



P.O.B. LAYOUT

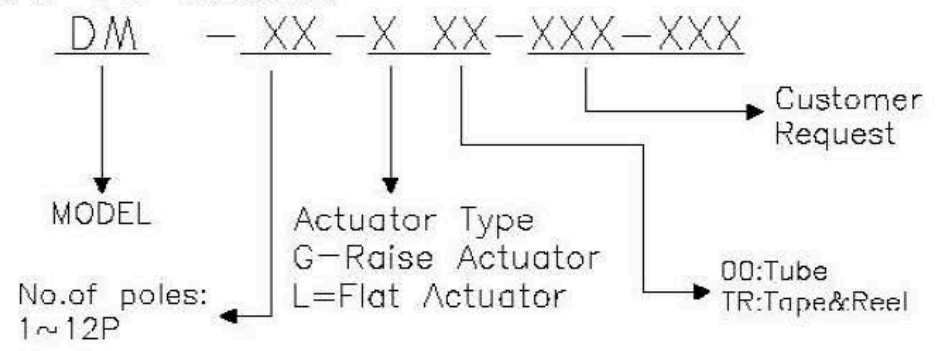


说明:
 1. 一般公差: 10mm以上—±0.2mm.
 10mm以内—±0.1mm.
 2. 材质与性能详见附件。

Specifications

- Contact Rating
 - Switching.....25mA,24VDC
 - Non-Switching.....100mA,50VDC
- Contact Resistance
 - Initial.....50m Ω/Max
 - After Reliability Test..... 100m Ω/Max
- Insulation Resistance
 - 100MΩ/Min. at 500 VDC
- Dielectric Strength
 - 500VAC/1minute
- Operating Force
 - 800g /max
- Travel
 -0.9mm
- Mechanical Life
 -5,000 cycles (Min.)
- Electrical Life
 -2,000 cycles
- Operating Temperature
 --20℃~+70℃
- Storage Temperature
 --40℃~+85℃

HOW TO ORDER



GENERAL	TOI FRANCE	ANGI F	TOI FRANCE	PROJECTION UNITS	mm	TITIF
X.	+0.5	X.	+5°			
.X	+0.3	.X	+3°			
.XX	+0.1	.XX	+1°			
DRAWING TYPE		CUSTOMER		SHEET SIZE	A4	SERIES
SCAIF		1:1		SHEET 1 OF 1		
DRAWING NO.		XP0012016-XXXX				