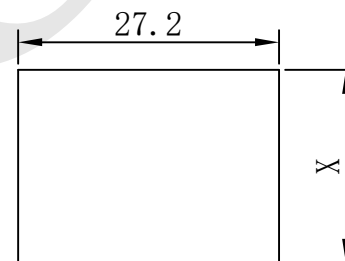
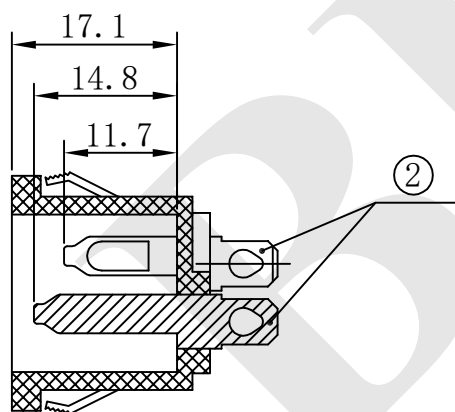


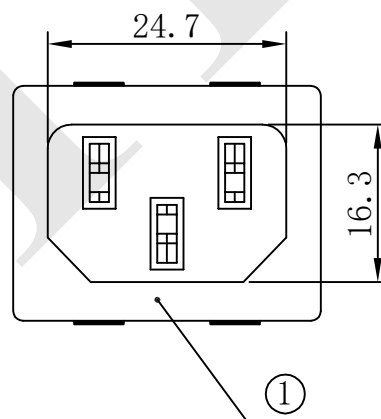
安装面板  
PANEL CUT-OUT



PANEL THICKNESS	X
0.50~1.00	20.6
1.00~3.00	21.0



SECTION A-A



RATING: 10A 250V ~ 15A 250V ~

No.		Version	Layout drawing	Only For Reference	
Design					
Check					
Process					
Standard					
Verified			Model: BTP-04	BITUO ELECTRIC CO.,LTD	
Approved					