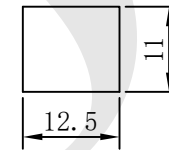
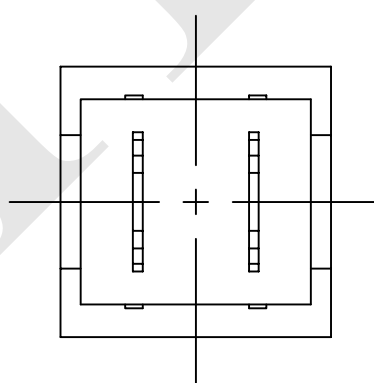
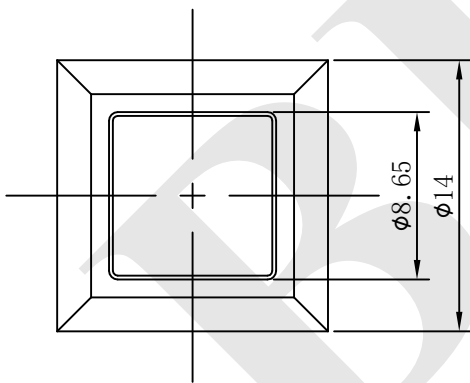
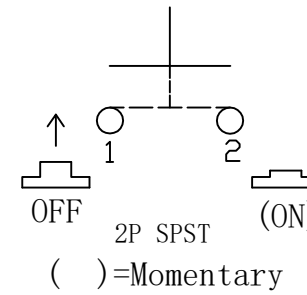


PANEL CUT-OUT



Circuit



The Main Technology Performance

Item	Parameter
Rated voltage Rated current	1A 250VAC
Insulated resistance	DC 500V 100MΩ min
Contact resistance	50mΩ Max
Dielectric strength	AC 1500V 1 minute
Operating Temperature	-25℃ ~ +85℃
Electrical Life	≥10000 Cycles

No.	Verify
Design	
Check	
Process	
Standard	
Verified	
Approved	

Layout drawing

Only For Reference

Model: PBS-15B

BITUD ELECTRIC CO.,LTD