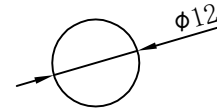
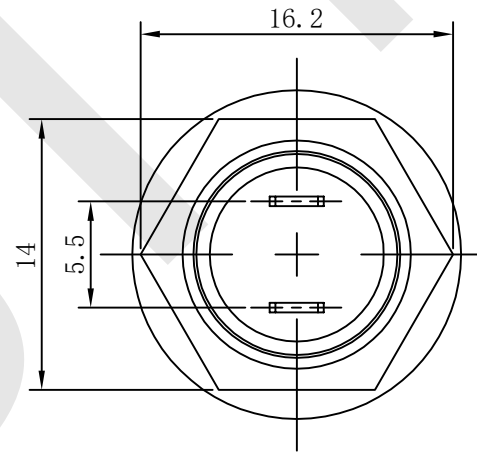
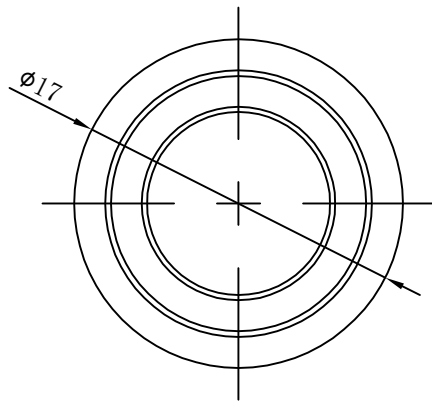
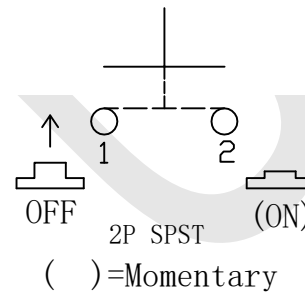


PANEL CUT-OUT



Circuit



The Main Technology Performance

Item	Parameter
Rated voltage	1A 250VAC
Rated current	1A 250VAC
Insulated resistance	DC 500V 100M Ω min
Contact resistance	50m Ω Max
Dielectric strength	AC 1500V 1 minute
Operating Temperature	-25 $^{\circ}$ C ~ +85 $^{\circ}$ C
Electrical Life	\geq 10000 Cycles

No.	Verin
Design	
Check	
Process	
Standard	
Verified	
Approved	

Layout drawing	Only For Reference			
Model: PBS-318	BITUD ELECTRIC CO.,LTD			