
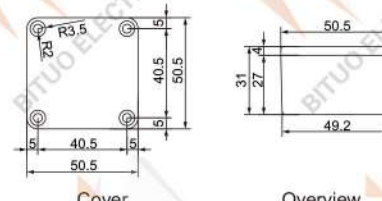

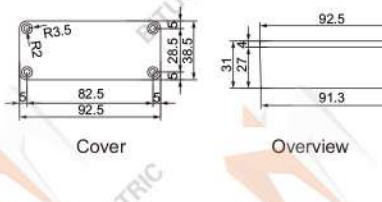

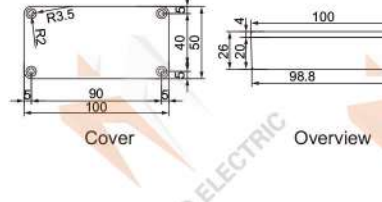

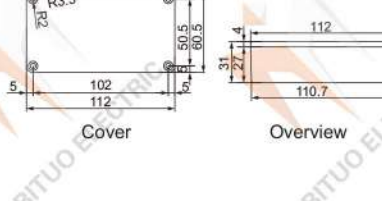

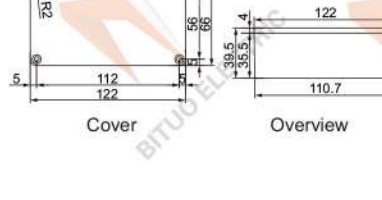



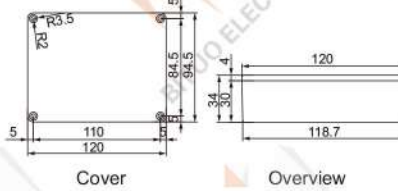

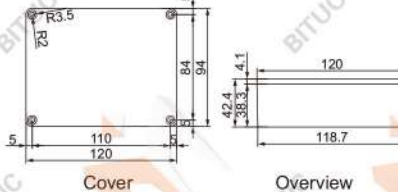

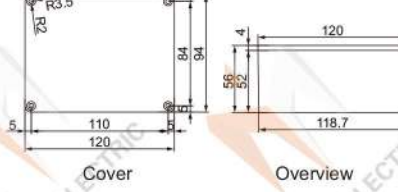

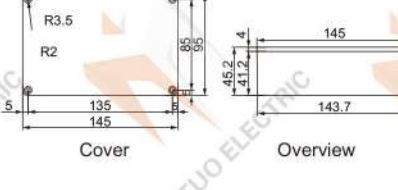

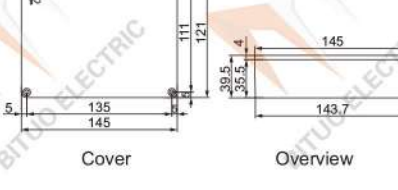


# A Guitar Pedal Parts

### Product Description

The guitar pedal parts are used to make the piano change in volume and tone. It is the most important accessory in the piano except the keyboard. It is an indispensable accessory on the instrument. Here you can find any guitar pedal parts you want.

PRODUCT IMAGE	PRODUCT PARAMETERS	PRODUCT DRAWING
 1590LB	<ul style="list-style-type: none"> <li>Diameter: 50.5*50.5*31mm</li> <li>Protection level: IP54</li> </ul>	 Cover Overview
 1590A	<ul style="list-style-type: none"> <li>Diameter: 92.5*38.5*31mm</li> <li>Protection level: IP54</li> </ul>	 Cover Overview
 1590G	<ul style="list-style-type: none"> <li>Diameter: 100*50*26mm</li> <li>Protection level: IP54</li> </ul>	 Cover Overview
 1590B	<ul style="list-style-type: none"> <li>Diameter: 112*61*32mm</li> <li>Protection level: IP54</li> </ul>	 Cover Overview
 125B	<ul style="list-style-type: none"> <li>Diameter: 122*66*39.5mm</li> <li>Protection level: IP54</li> </ul>	 Cover Overview

PRODUCT IMAGE	PRODUCT PARAMETERS	PRODUCT DRAWING
	<ul style="list-style-type: none"> <li>Diameter: 120*94.5*34mm</li> <li>Protection level: IP54</li> </ul>	
1590BB		
	<ul style="list-style-type: none"> <li>Diameter: 120*94*42.4mm</li> <li>Protection level: IP54</li> </ul>	
1590BBS		
	<ul style="list-style-type: none"> <li>Diameter: 120*94*56mm</li> <li>Protection level: IP54</li> </ul>	
1590C		
	<ul style="list-style-type: none"> <li>Diameter: 145*95*45.2mm</li> <li>Protection level: IP54</li> </ul>	
1590J		
	<ul style="list-style-type: none"> <li>Diameter: 145*121*39.5mm</li> <li>Protection level: IP54</li> </ul>	
1590XX		

PRODUCT IMAGE	PRODUCT PARAMETERS	PRODUCT DRAWING
	<ul style="list-style-type: none"> <li>Diameter: 188*119*56.5mm</li> <li>Protection level: IP54</li> </ul>	
1590D		
	<ul style="list-style-type: none"> <li>Diameter: 188*119*37.5mm</li> <li>Protection level: IP54</li> </ul>	
1590DD		
	<ul style="list-style-type: none"> <li>Diameter: 254*71*52.5mm</li> <li>Protection level: IP54</li> </ul>	
1032L		
	<ul style="list-style-type: none"> <li>Diameter: 252*101.5*41.2</li> <li>Protection level: IP54</li> </ul>	
GEP-2		
	<ul style="list-style-type: none"> <li>Diameter: 12*4mm</li> </ul>	
RB-1204		
	<ul style="list-style-type: none"> <li>Diameter: 9.5*3.7mm</li> </ul>	
RB-9537		